

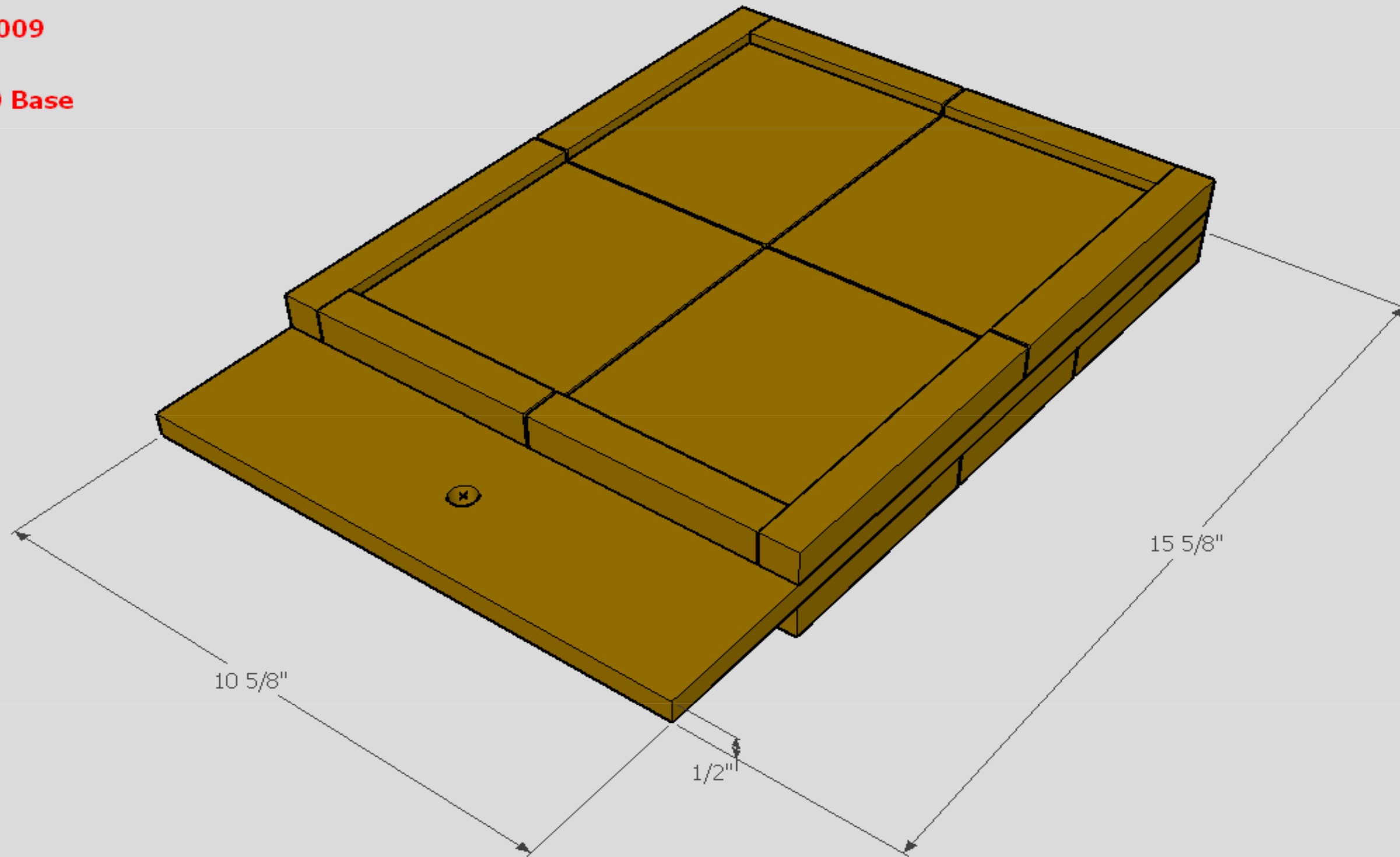
Sand Paper Cutting Jig

By GME

03-21-2009

Rev 0a

Layer: 0 Base



Sand Paper Cutting Jig

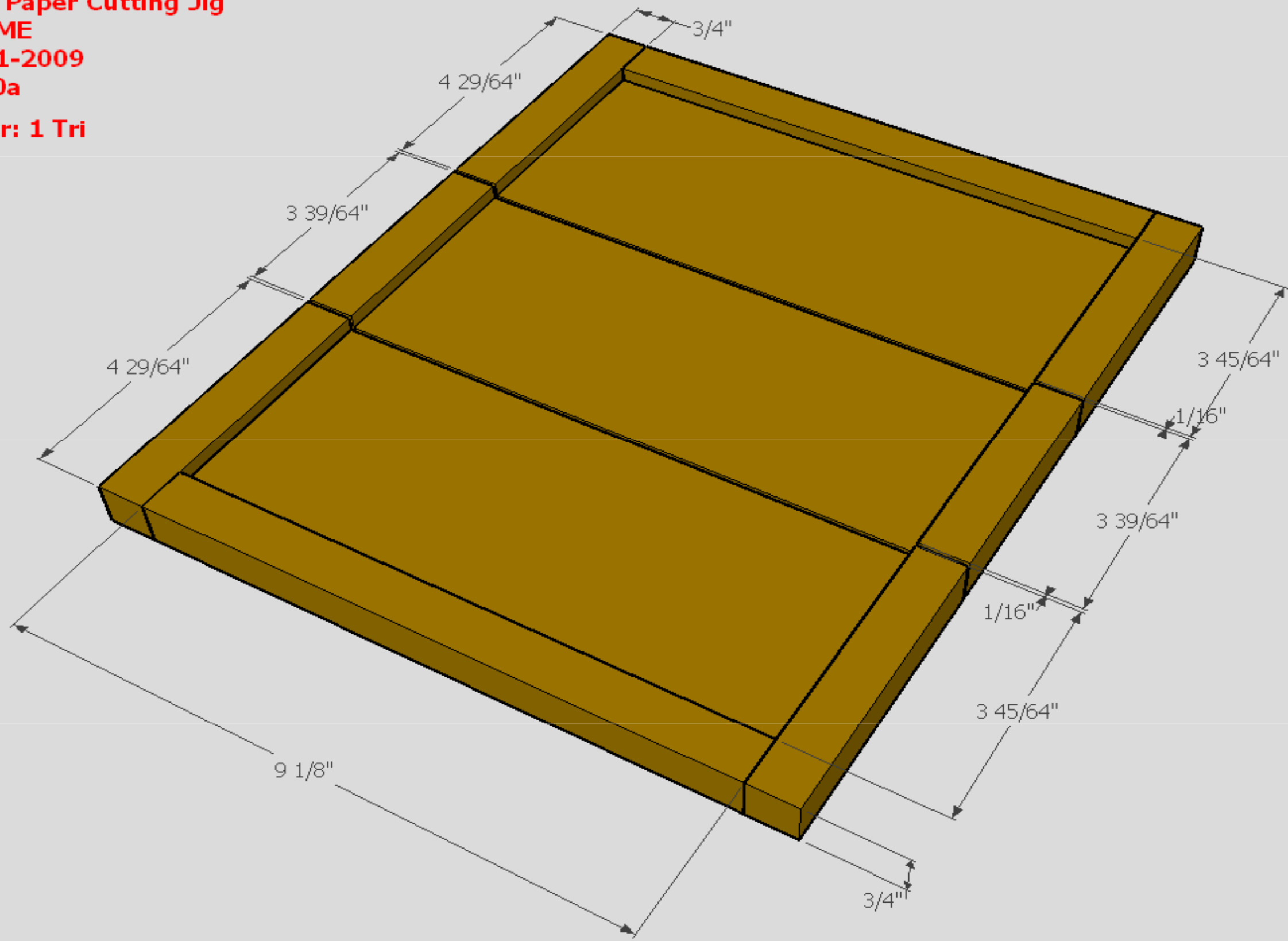
By GME

03-21-2009

Rev 0a

Layer: 1 Tri

Layers



Sand Paper Cutting Jig

By GME

03-21-2009

Rev 0a

Layer: 2 Quad

Layers

